

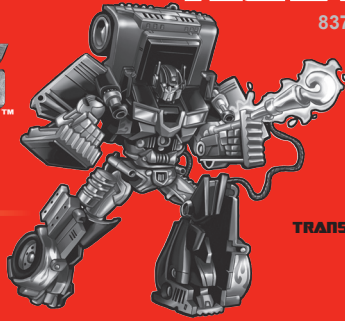
# TRANSFORMERS™

AGES 4+

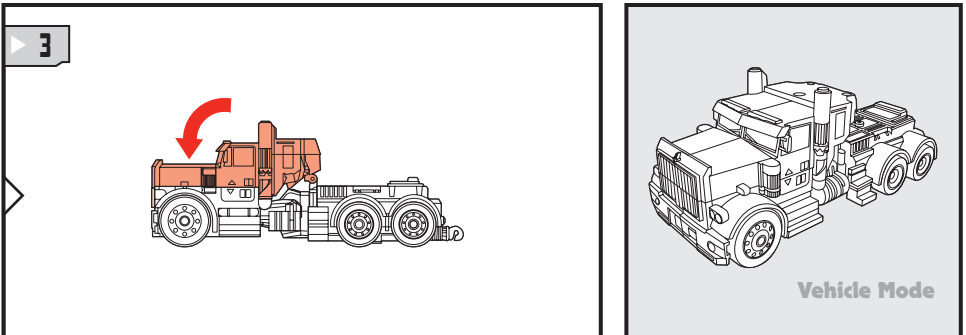
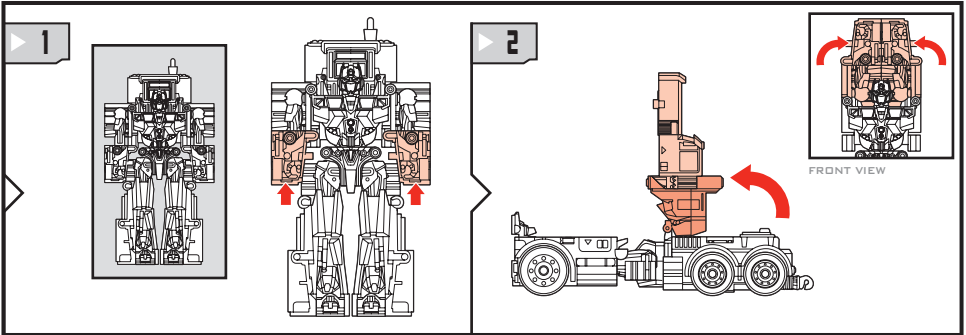
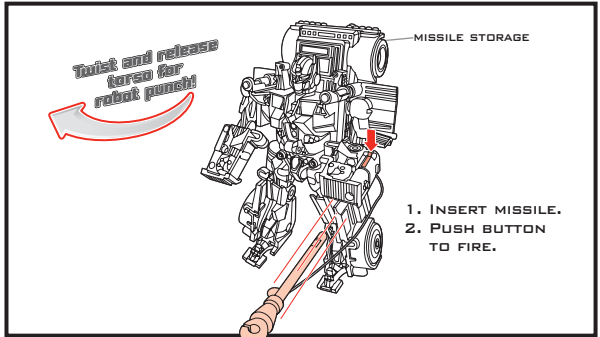
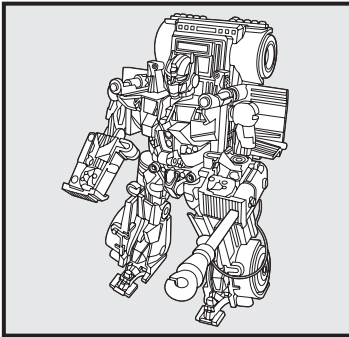
83758/82414 Asst.

## Fire Blast OPTIMUS PRIME®

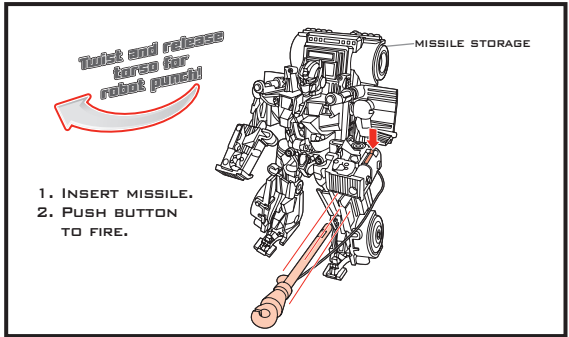
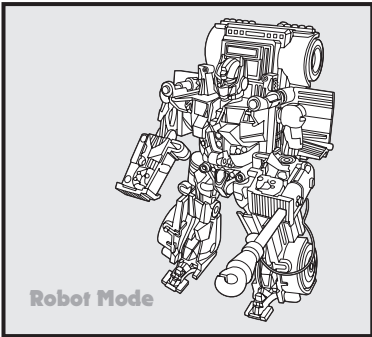
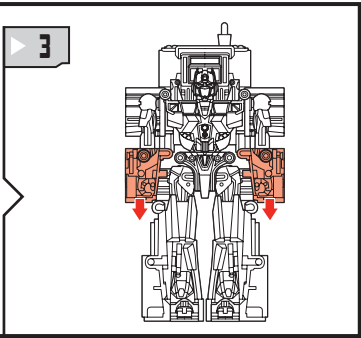
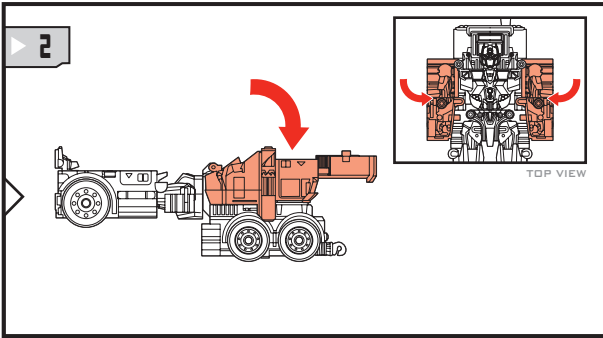
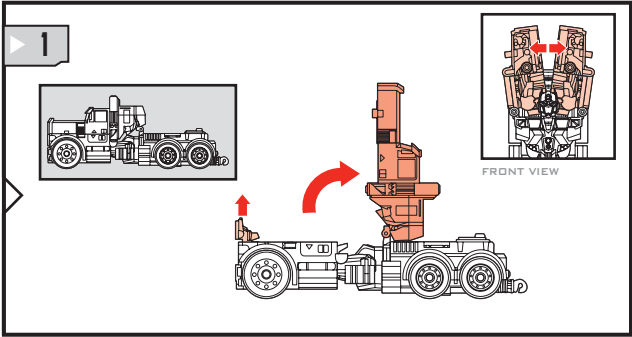
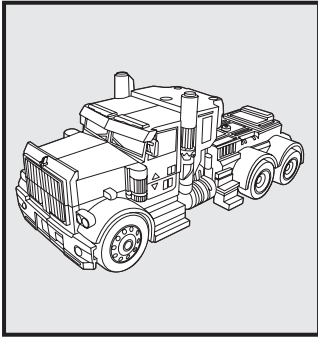
TRANSFORMERS.COM



### CHANGING TO VEHICLE



# CHANGING TO ROBOT



P/N 6757710000



Some poses may require hand support.



[TRANSFORMERS.COM](http://TRANSFORMERS.COM)

© 2007 DreamWorks LLC and Paramount Pictures Corporation  
© 2007 Hasbro. All Rights Reserved.  
TM & © denote U.S. Trademarks.  
Manufactured under license from Tomy Company, Ltd.



Not suitable for children under 3 years because of small parts – choking hazard.